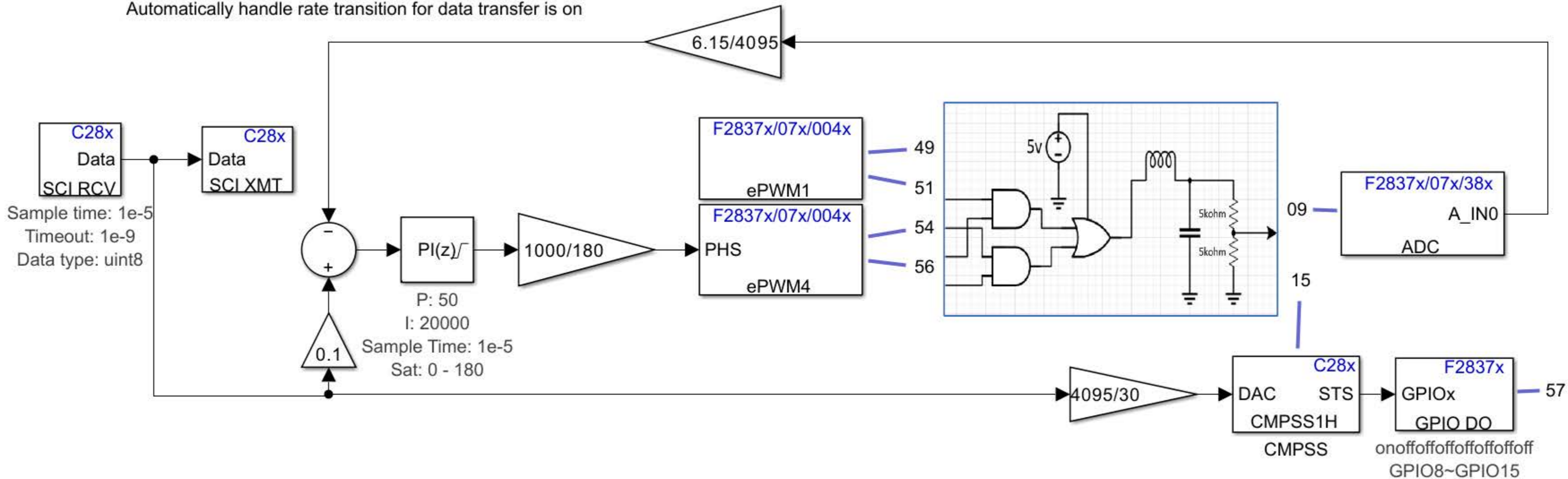


Notes:

Automatically handle rate transition for data transfer is on



Notes:

CMPSS1H compares analog voltage on physical pin 15 of the controlcard (it is connected to the output of the pwm filter) to digital value on the input of the inner DAC (it is connected to output of serial receive block)

Input and Configuration

COM5
Baud rate : 115200

Host Serial Setup

10

uint8

Serial Receive

COM5 Data

Host Serial Receive
Sample time: 1e-5

Serial Transmit

Data COM5

Host Serial Transmit

Output

Received signal

Transmitted signal